

A Typical Manchester Wheel

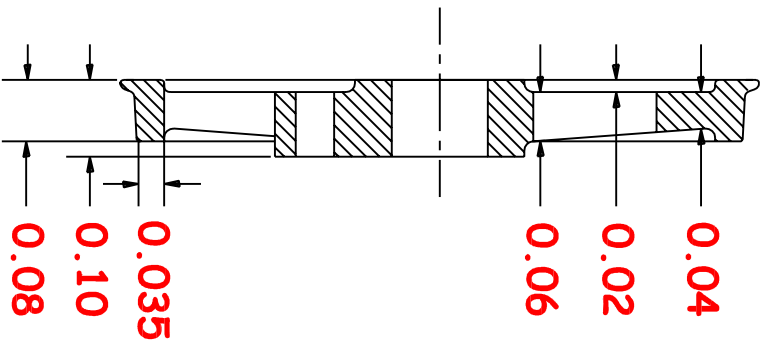


Fig 2A



Fig 2B

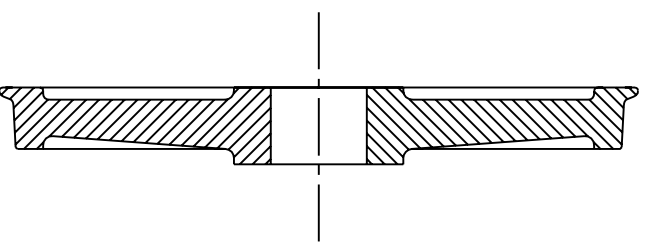


Fig 2C